

PRODUCT CODE: CF2G
FLAT CRAMPET



DESCRIPTION

25mm Flat Crampet

FINISH

BZP

MATERIAL

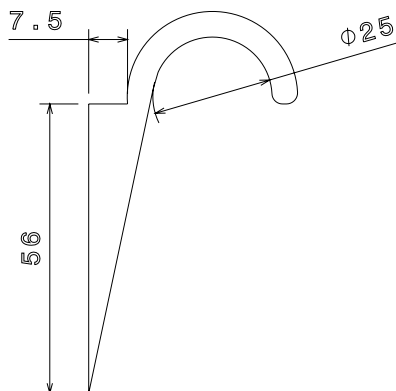
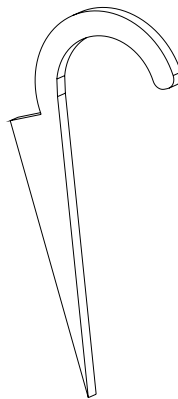
Pressed Steel

PACKAGING

Packed in qty 100

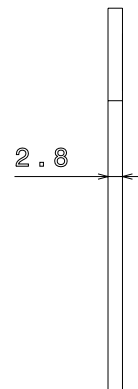
ADDITIONAL NOTES

Conforms to BS EN61386-1
Compliant to LU Standard 1-085 (for use on surface & sub-surface locations)



Front view

Isometric view



Side view